

FEP ME 755



TECHNICAL SPECIFICATIONS

Inspection unit

- Dimensions: 2630mm (L) x 1065mm (W) x 1462.50mm (H)
- Weight: 580kg
- Tunnel size: 756mm (W) x 550mm (H)
- Conveyor belt height: 735mm
- Belt speed: 0.2m/s
- Maximum bag weight: 200kg
- 1 LCD widescreen monitor
- Power supply: Monophase 230VAC +/- 10%
- Frequency: 50Hz +/- 3Hz
- Power absorption: $\leq 1.5\text{kVA}$
- Duty cycle: 100%

X-Ray generator

- High frequency monobloc
- Tube voltage: 150kV
- Tube current tube: 0.7mA
- Beam Orientation: Diagonal upwards

Environmental compliance

- Operational temperatures: 0°C to 40°C
- Storage temperature: -20°C to +60°C
- Humidity: 95% without condensation
- Noise level: < 60dB

Detection characteristics

- Resolution*: 38 guaranteed, 41 AWG typical
- Penetration*: 32mm guaranteed, 34mm typical
- 1152 detectors: In two "L"-shaped rows of photodiodes

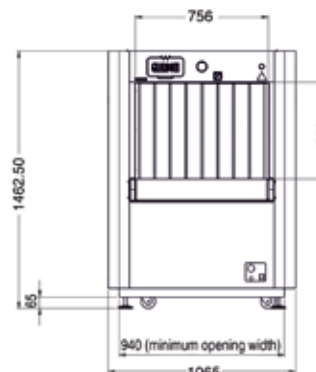
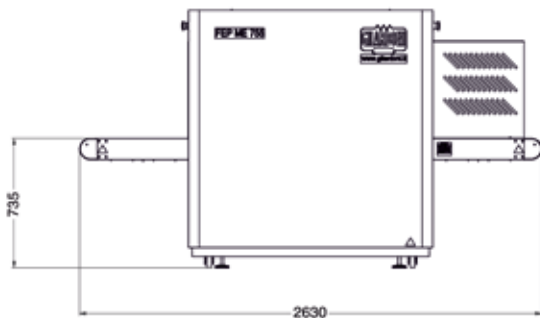
Health and Safety

- The system fully meets the applicable international regulations for X-Ray equipment
- Leakage dose at 10cm: < 1.0 $\mu\text{Sv/h}$ (0.1mR/h)
- Film safety: guaranteed up to ISO 1600/33 DIN

Options

- ADS
- TIP
- NetServer & TIPNet
- Digital image archiving (AIMS)
- AIMS Networking
- Modular roller tables
- Monitor enclosure
- 2nd level remote display workstation(s)
- UPS
- Smart-card login

REFERENCE REGULATION:
EC, IEC, TSA, STAC, Dft, ENAC



* Tested with Gilardoni S.p.A. proprietary copper wires and steel stepwedge

Dimensions in mm

Reserving the right to improve and modify

RESEARCH LABORATORIES acknowledged "Highly Qualified" with decree D.M. 9-10-1985 – L.46/82 art.4



■ For detail inquiries, please contact :

PT. Professtama Teknik Cemerlang
Kompleks Golden Ville Blok 88DI
Jl. Daan Mogot Dua, Kepa Duri, Jakarta - 11510
Telp. +62-21-5671935, +62-21-5641142, +62-21-98563018
Fax. +62-21-5671938 - SMS. +62-81510757515
E-mail: info@professtama.com
website: www.professtamadevelopment.com